
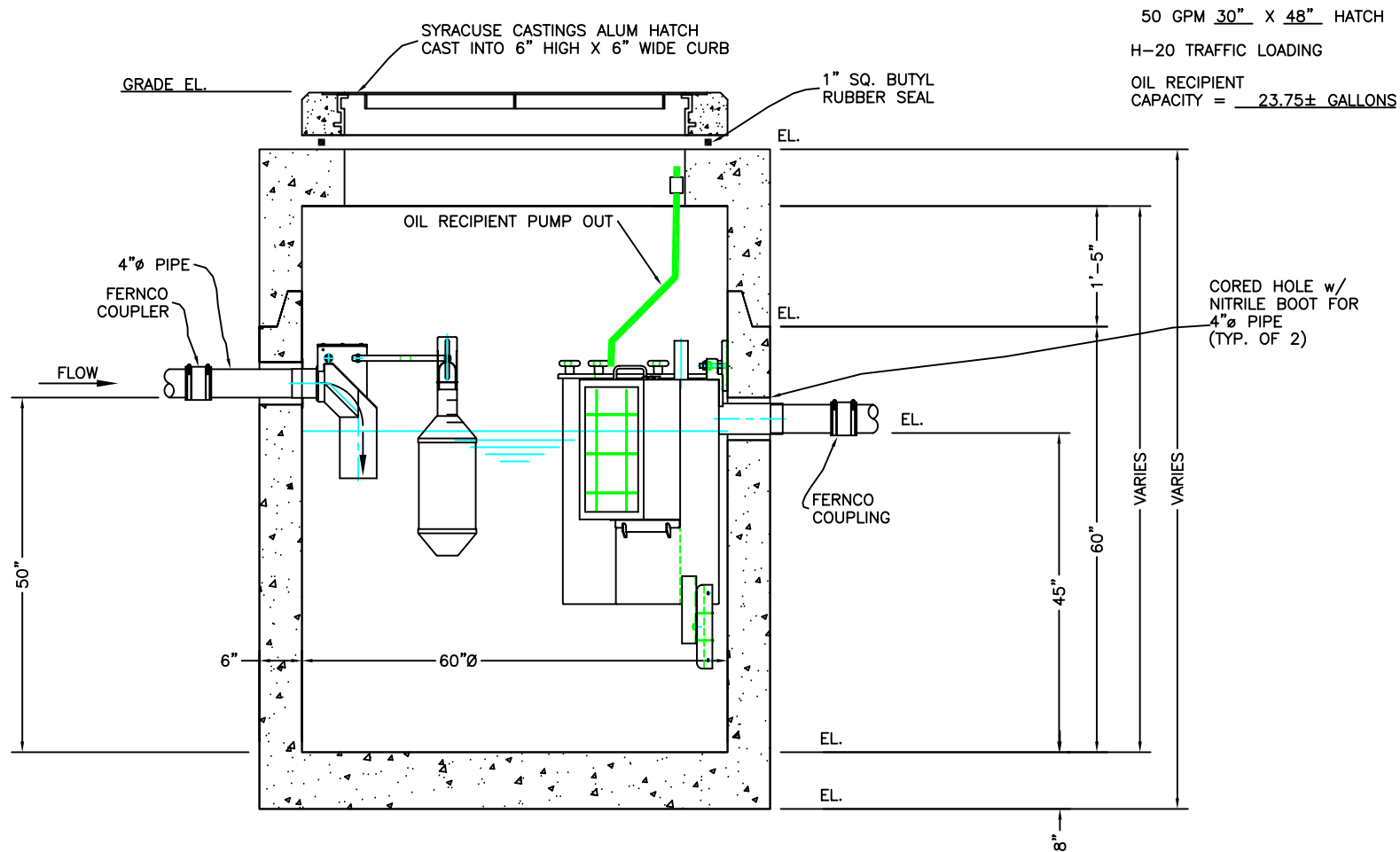


NOTE: INTERIOR OF GRIT CHAMBER BASE TO BE LINED w/ GSE H.D.P.E. "STUDLINER".

ecoSep - 50 GPM - STANDARD - GRIT CHAMBER

REVISIONS 	 <p>Royal ENVIRONMENTAL SYSTEMS, Inc. A Division of Royal Enterprises America</p>	PROJECT:	
		LOCATION:	
		OWNER:	
		ENGINEER:	
		CONTRACTOR:	
		MANUFACTURER: ROYAL CONCRETE PIPE	
		PRODUCT DESIGNATION: ECOSEP - 50 GPM - STANDARD - GRIT CHAMBER	
		SCALE: 1/2"=1' DRAWN BY: JGS DATE: 01-09-07 DWG. NO: esep_res_160-gc	
		DESIGNED BY: JGS CHECK 1: DAR CHECK 2:	



50 GPM 30" X 48" HATCH
H-20 TRAFFIC LOADING
OIL RECIPIENT
CAPACITY = 23.75± GALLONS

NOTE:
INTERIOR OF BASE
SECTION TO BE LINED w/
GSE, H.D.P.E. "STUDLINER"

ecoSep™ - 50 GPM - STANDARD - SPILL CONTROL / COALESCING CHAMBER

DESIGN INFORMATION BASIS

OIL SPECIFIC GRAVITY
(NON-EMULSIFIED):

0.85
850 kg/m³
(~53 lbs/ft³)

OPERATING TEMPERATURE:

4-20°C (~40-70°F)

INFLUENT OIL CONCENTRATION:
(FREE OIL)

5ml/l (~5000ppm)

EFFLUENT OIL CONCENTRATION:

5mg/l (~5ppm)

FLOW (NOMINALE) RATE:

3 l/s (~50 GPM)

PROPRIETARY INFORMATION - ALL RIGHTS OF ROYAL ENVIRONMENTAL SYSTEMS, INC.

REVISIONS



PROJECT:	
LOCATION:	
OWNER:	
ENGINEER:	
CONTRACTOR:	
MANUFACTURER:	ROYAL CONCRETE PIPE
PRODUCT DESIGNATION:	ECOSEP 50 GPM - STANDARD - SPILL CONTROL/COALESCING CHAMBER
SCALE:	N/A
DRAWN BY:	JGS
DATE:	01-09-07
DWG. NO.:	esep_res_50-pc
DESIGNED BY:	JGS
CHECK 1:	DAR
CHECK 2:	

ecoSep™ - 50 GPM - GRIT / OIL SEPARATION SYSTEM

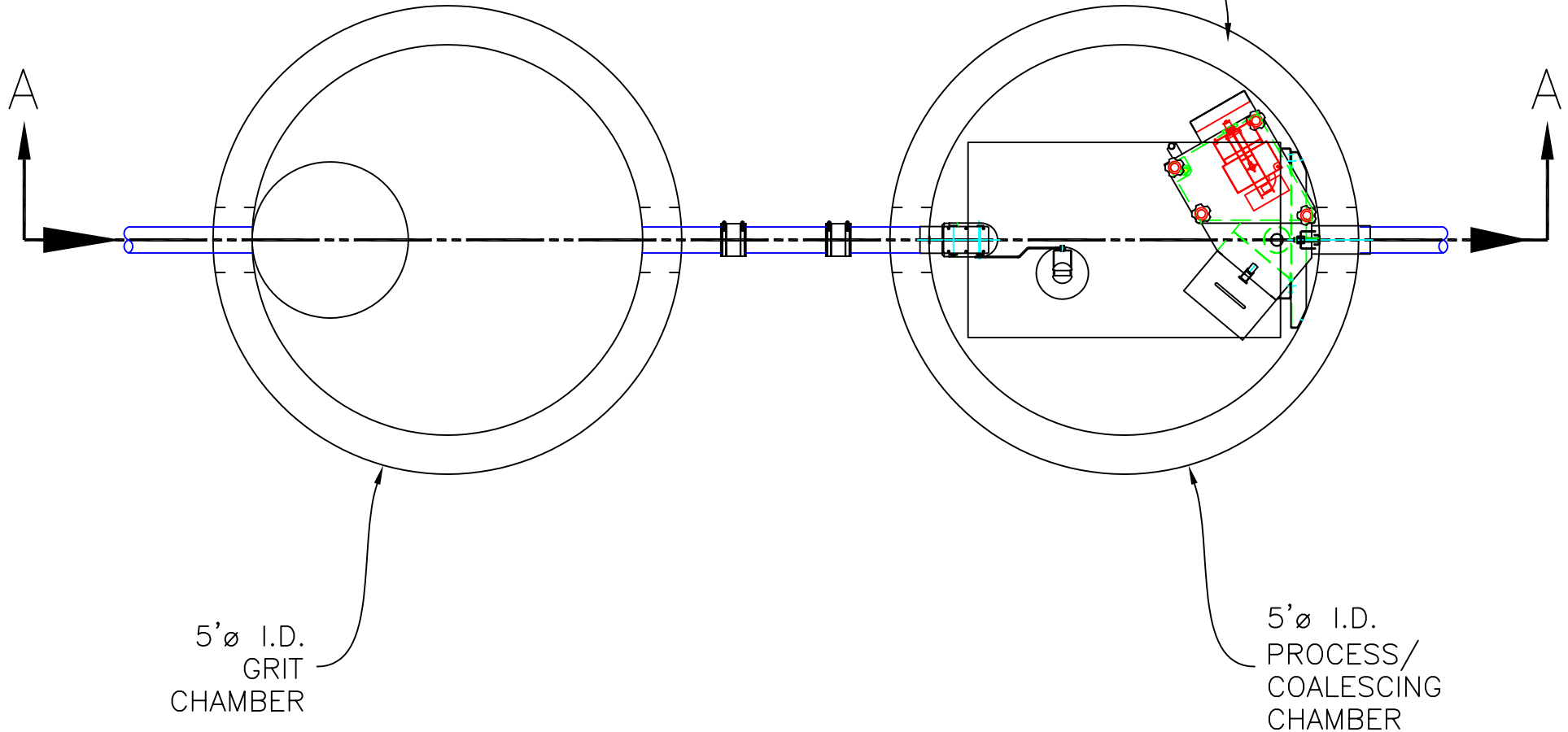
DESIGN INFORMATION BASIS

OIL SPECIFIC GRAVITY (NON-EMULSIFIED): 0.85
 850 kg/m³ (~53 lbs/ft³)
 OPERATING TEMPERATURE: 4-20°C (~40-70°F)
 INFLUENT OIL CONCENTRATION: 5ml/l (~5000ppm) (FREE OIL)
 EFFLUENT OIL CONCENTRATION: 5mg/l (~5ppm)
 FLOW (NOMINALE) RATE: 3 l/s (~50 GPM)

SPECIFICATIONS:

CONCRETE: 4,000 P.S.I. @ 28 DAYS.
 ENTRAINED AIR: 5% - 9%.
 STEEL: A.S.T.M. A496-A615
 GRADE 60-60 KSI.
 DESIGN LOADING: A.A.S.H.T.O. HS-20-44
 WITH 30% IMPACT AND
 EQUIVALENT SOIL PRESSURE
 OF 130 (PCF).
 EQUIPMENT: STAINLESS STEEL.

**VENT PIPE PER
 MUNICIPAL / STATE
 PLUMBING CODE**



5'ø I.D.
 GRIT
 CHAMBER

5'ø I.D.
 PROCESS/
 COALESCING
 CHAMBER

REVISIONS	PROJECT:
	LOCATION:
	OWNER:
	ENGINEER:
	CONTRACTOR:
	MANUFACTURER: SHERMAN DIXIE CONCRETE INDUSTRIES
	PRODUCT DESIGNATION: ECOSEP 50 GPM PLAN VIEW
	SCALE: 1/2"=1' DRAWN BY: JGS DATE: 01-09-07 DWG. NO: esep_res_50-pv
	DESIGNED BY: JGS CHECK 1: CHECK 2:

