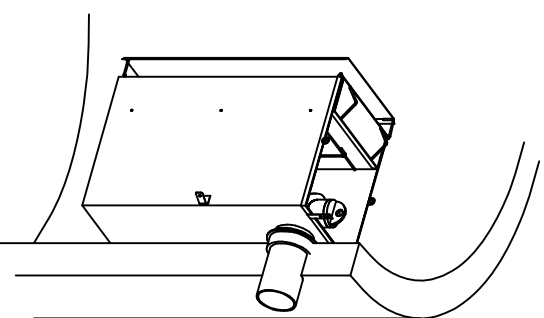


ecoline-b CONFORMS TO ALL "ENASS" REQUIREMENTS.

OIL SPECIFIC GRAVITY: 0.85  
(NON-EMULSIFIED / FREE OIL): (~53 lbs/ft<sup>3</sup>)  
OPERATING TEMPERATURE: 4-20°C (~40-70°F)  
INFLUENT OIL CONCENTRATION: 5ml/l (~5000ppm)  
EFFLUENT OIL CONCENTRATION: 5mg/l (~5ppm)  
FLOW RATE: 40 l/s (~630gpm)

**PROTECTIVE INTERIOR LINING (OPTIONAL)**

- STRUCTURE WALLS AND FLOOR TO BE CAST WITH GSE H.D.P.E.
- "STUDLINER" TO THE FIRST HORIZONTAL JOINT ABOVE PIPE CROWNS.
- WELDING TO BE COMPLETED BY CERTIFIED EXTRUSION FIELD WELDERS.
- ALL WELDS TO BE SPARK TESTED

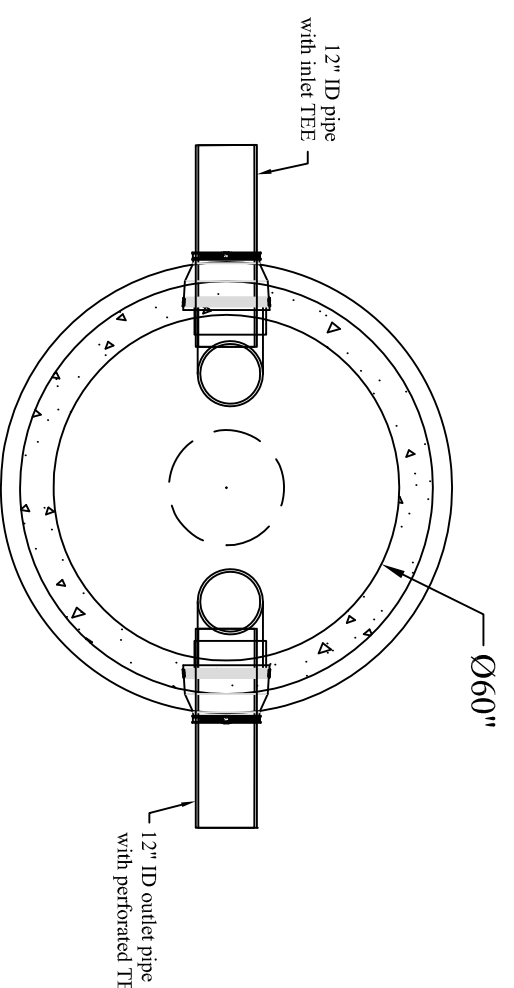


- GENERAL NOTES:
- MANHOLE DESIGN SPECIFICATIONS CONFORM TO LATEST ASTM C478 SPEC. FOR "PRECAST" REINFORCED CONCRETE MANHOLE SECTIONS.
  - DESIGN LOADING: HS20-44

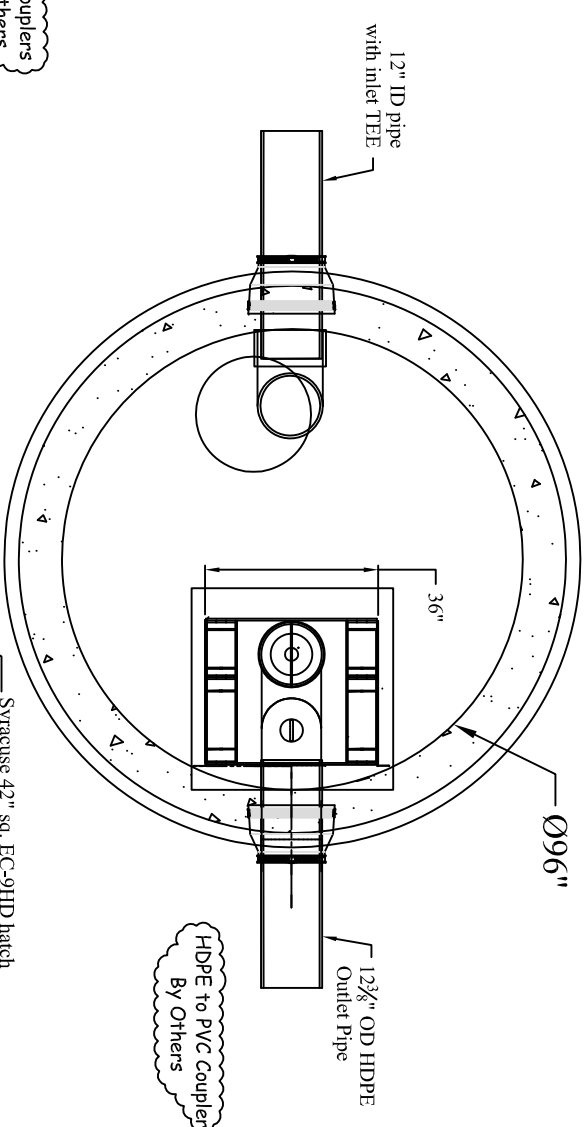
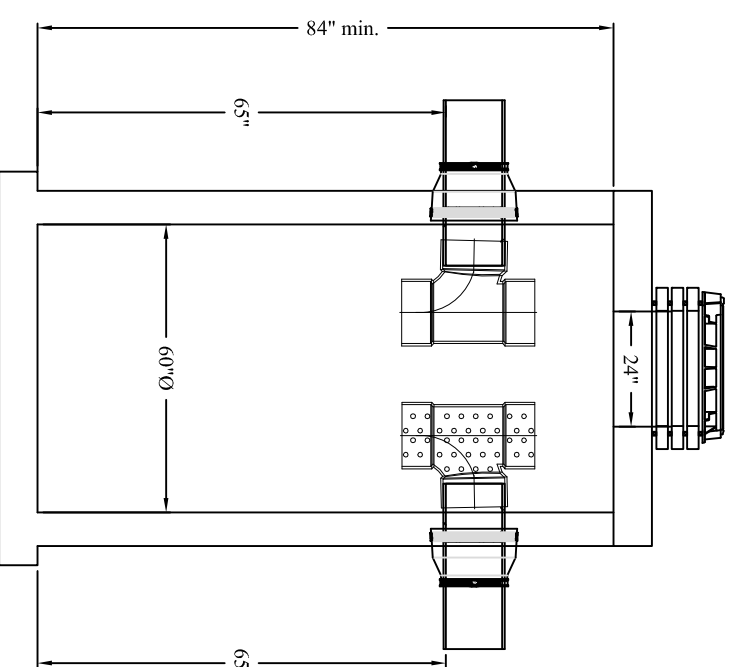
- PROJECT NOTES:**
- CONTRACTOR RESPONSIBLE FOR WATERTIGHT SEALING OF ADJUSTMENT RINGS TO VAULT AND FRAME & COVER.
  - ALL PIPE TO VAULT SEALS TO BE A-LOK OR EQUAL.
  - ANY AND ALL PIPE COUPLERS BY CONTRACTOR.
  - HEAVIEST PIECE \_\_\_\_\_ LBS.

Proprietary Information: Patent Pending Design, All Rights Reserved - Royal Environmental Systems, Inc.  
Royal Environmental Systems not responsible for any field testing or mitigation procedures (if required).

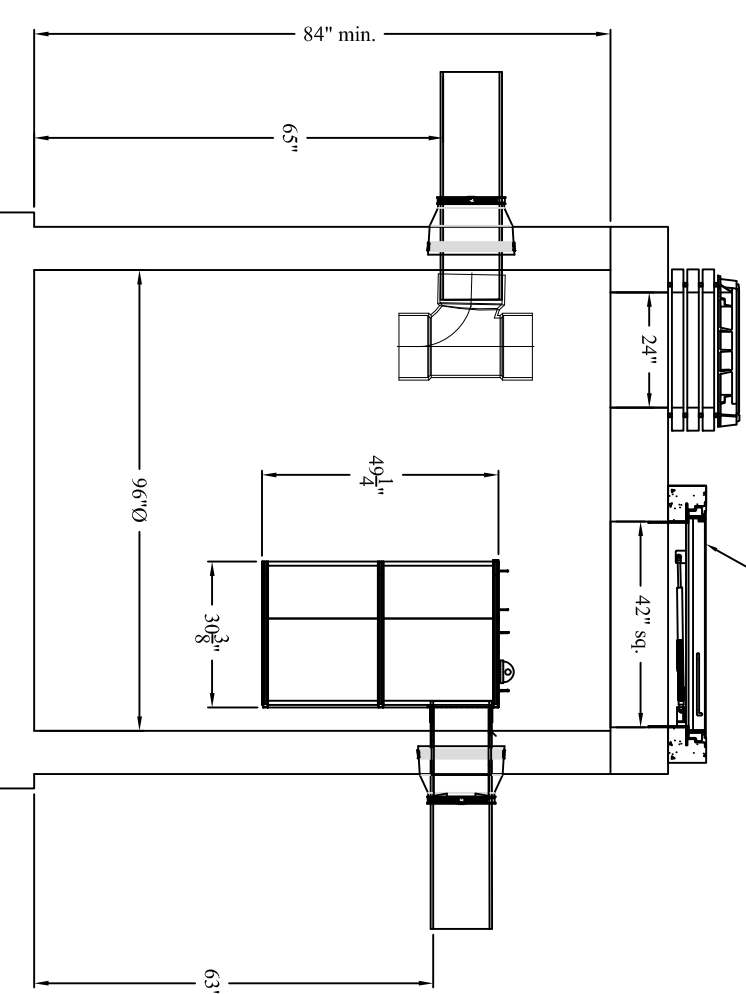
# ecoline-b 630 gpm



PVC Couplers  
By Others



HDPE to PVC Coupler  
By Others



**Grit Chamber (Optional)**  
1 - 60"Ø with same vertical dims. as ecoline-b 630gpm

**ecoline-b 630gpm**  
1 - 96" Ø required (min.)

**ROYAL ENVIRONMENTAL SYSTEMS, Inc.**  
A Division of Royal Enterprises America  
(651) 462-2130  
www.royalenterprises.net

|                      |   |              |                   |
|----------------------|---|--------------|-------------------|
| Project:             | <Project>                                       | Location:    | <Enter Location>  |
| Owner:               | <Owner>   | Scale:       | NTS               |
| Engineer:            | <Engineer>                                      | Designed By: | JGS               |
| Contractor:          | <Contractor>                                    | Date:        | 3-30-09           |
| Manufacturer:        | Royal Concrete Pipe                             | Drawing #:   | ecoline-b 630 gpm |
| Product Designation: | ecoline-b - High-efficiency Oil Water Separator |              |                   |

Drawn By: 3-30-09 JGS  
Rev. Date: \_\_\_\_\_