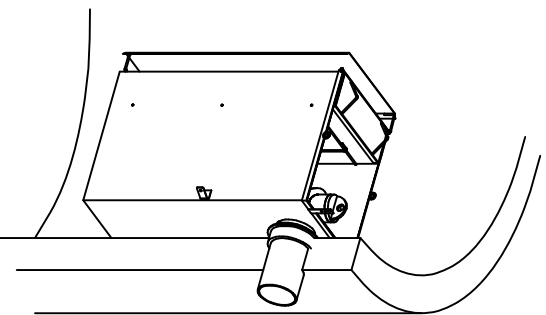


ecoline-b CONFORMS TO ALL "EN838" REQUIREMENTS:

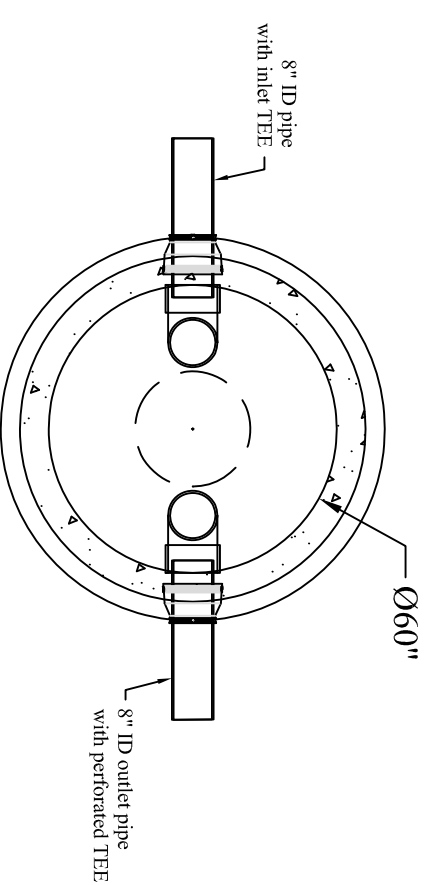
OIL SPECIFIC GRAVITY: 0.85  
 (NON-EMULSIFIED / FREE OIL): 850 kg/m<sup>3</sup>  
 (≈53 lbs/ft<sup>3</sup>)  
 OPERATING TEMPERATURE: 4-20°C (≈40-70°F)  
 INFLUENT OIL CONCENTRATION: 5ml/l (≈5000ppm)  
 EFFLUENT OIL CONCENTRATION: 5mg/l (≈5ppm)  
 FLOW RATE: 20 l/s (≈320gpm)

**PROTECTIVE INTERIOR LINING (OPTIONAL)**

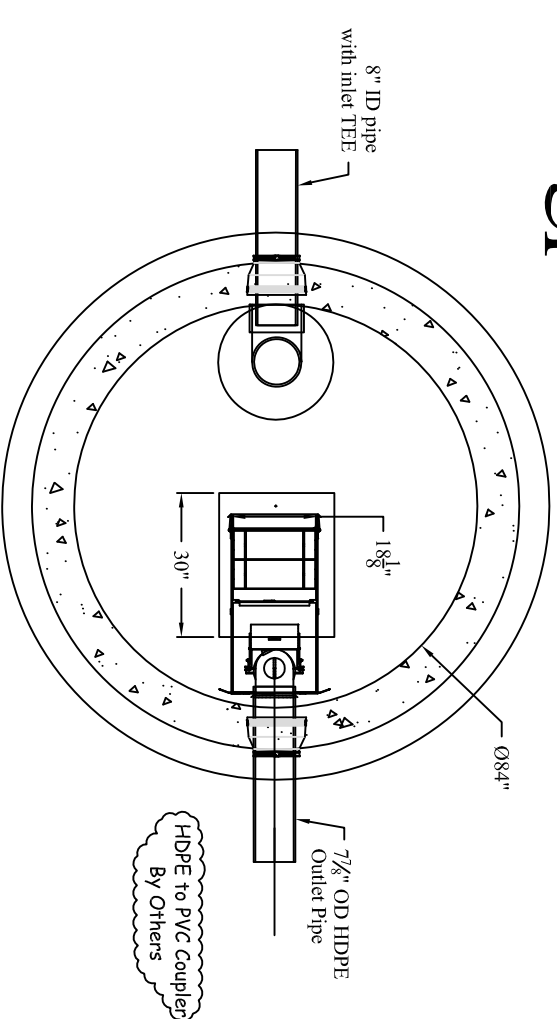
- STRUCTURE WALLS AND FLOOR TO BE CAST WITH GSE HDPE.
- "STUDLINER" TO THE FIRST HORIZONTAL JOINT ABOVE PIPE CROWNS.
- ALL WELDS TO BE SPARK TESTED



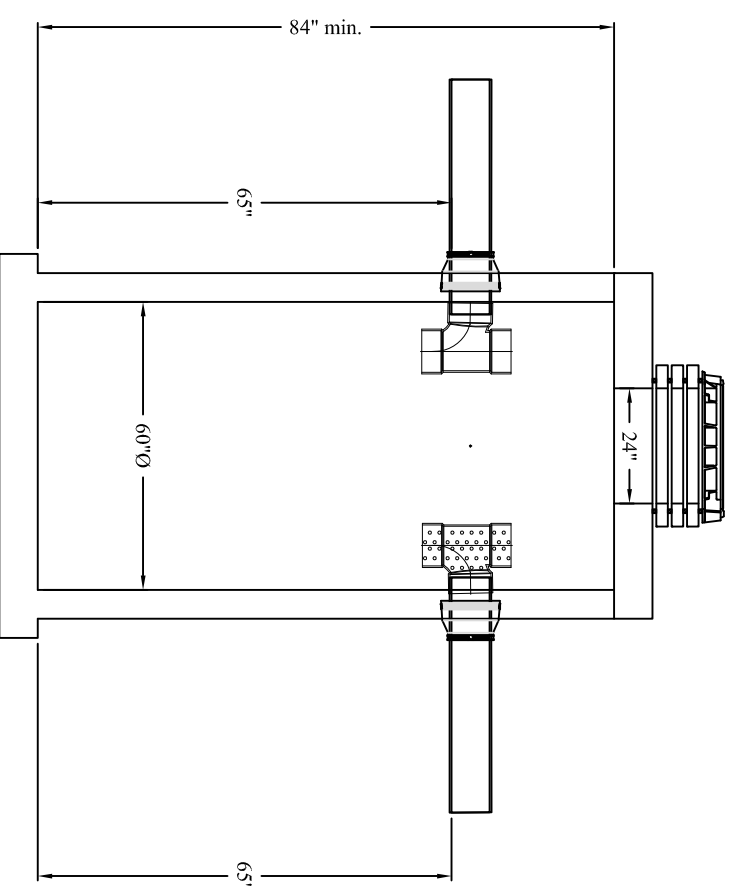
# ecoline-b 320 gpm



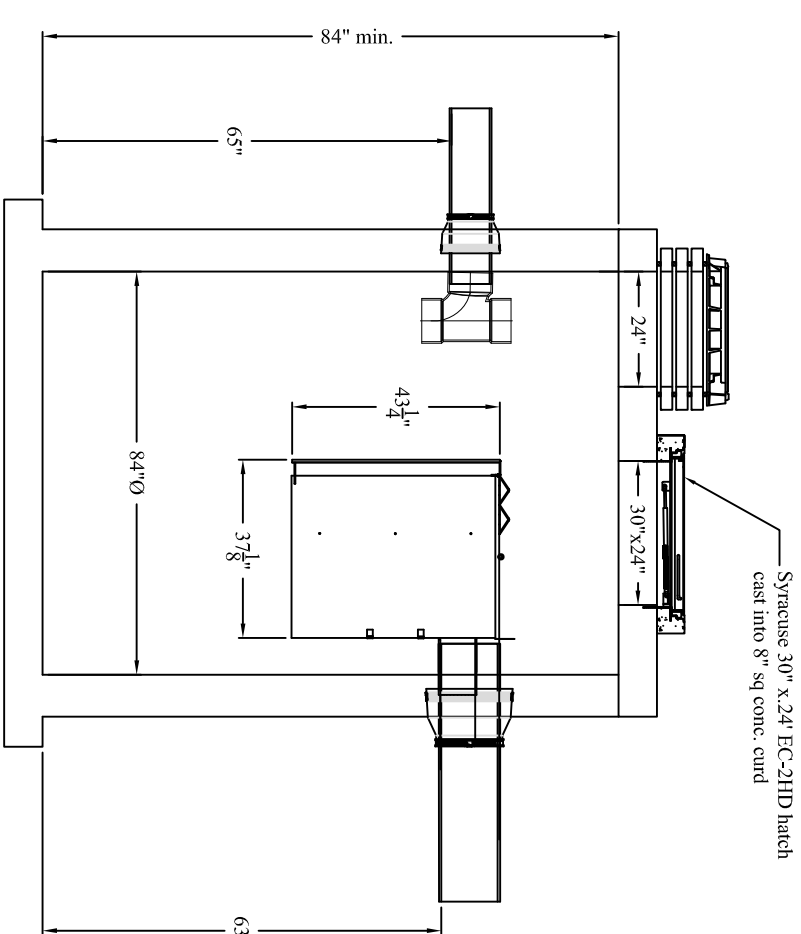
PVC Couplers  
By Others



HDPE to PVC Coupler  
By Others



Grit Chamber (Optional)  
 1 - 60"Ø with same vertical dims. as  
 ecoline-b 320gpm



ecoline-b 320gpm  
 1 - 84" Ø required (min.) or 1 - 96"Ø (max.)

- GENERAL NOTES:
- MANHOLE DESIGN SPECIFICATIONS CONFORM TO LATEST ASTM C478 SPEC. FOR "PRECAST" REINFORCED CONCRETE MANHOLE SECTIONS.
  - DESIGN LOADING: HS20-44

- PROJECT NOTES:**
- CONTRACTOR RESPONSIBLE FOR WATERTIGHT SEALING OF ADJUSTMENT RINGS TO VAULT AND FRAME & COVER.
  - ALL PIPE TO VAULT SEALS TO BE A-1-OK OR EQUAL.
  - ANY AND ALL PIPE COUPLERS BY CONTRACTOR.
  - HEAVIEST PIECE \_\_\_\_\_ LBS.

Proprietary Information: Patent Pending Design, All Rights Reserved - Royal Environmental Systems, Inc.  
 Royal Environmental Systems not responsible for any field testing or mitigation procedures (if required).

**ROYAL ENVIRONMENTAL SYSTEMS, Inc.**  
 A Division of Royal Enterprises America  
 (651) 462-2130  
 www.royalenterprises.net

Project:	<Project>	Location:	<Enter Location>
Owner:	<Owner>	Scale:	NTS
Engineer:	<Engineer>	Designed By:	JGS
Contractor:	<Contractor>	Date:	3-30-09
Manufacturer:	Royal Concrete Pipe	Drawing #:	ecoline-b 320gpm
Product Designation:	ecoline-b - High-efficiency Oil Water Separator		

Drawn By: \_\_\_\_\_  
 3-30-09 JGS  
 Rev. Date: \_\_\_\_\_